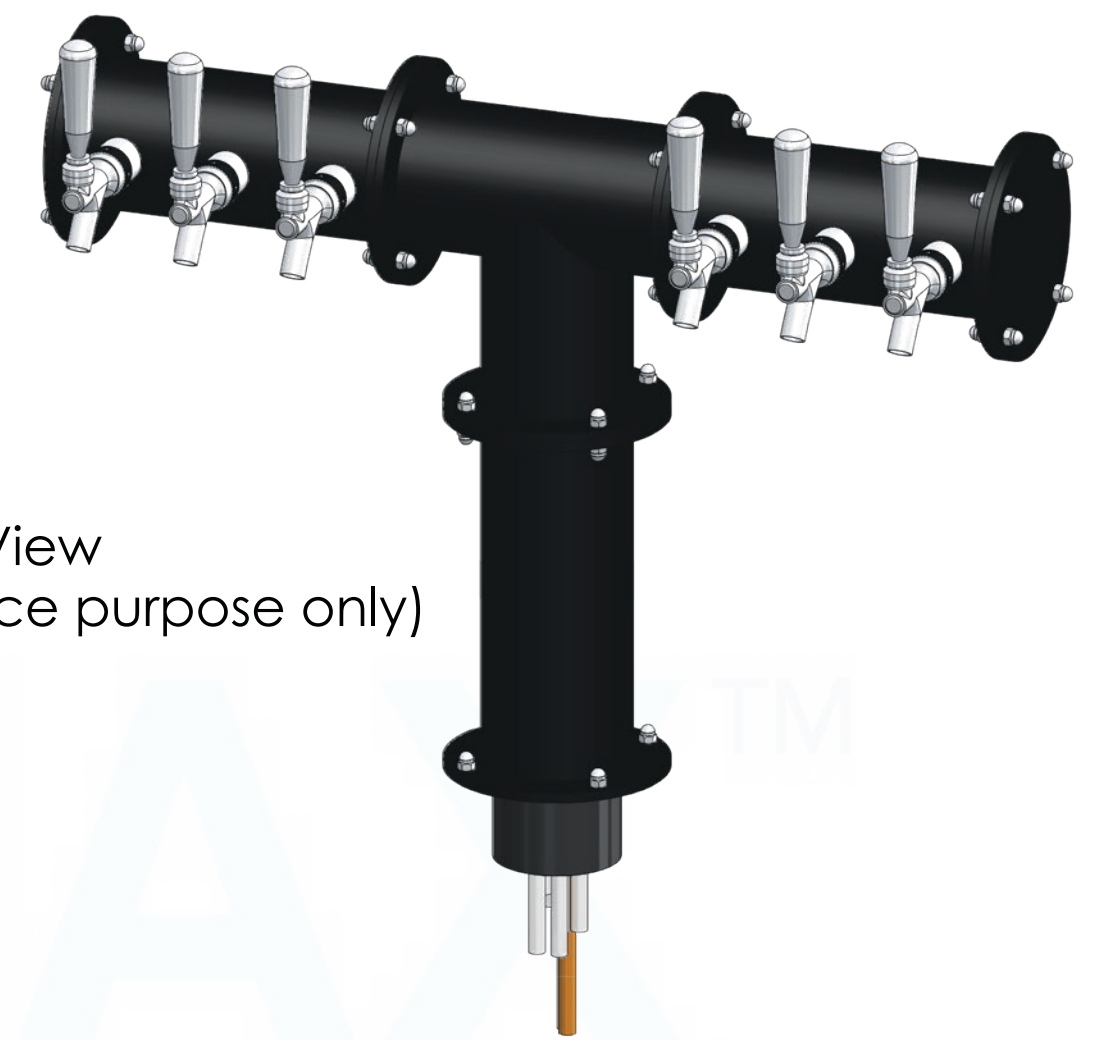
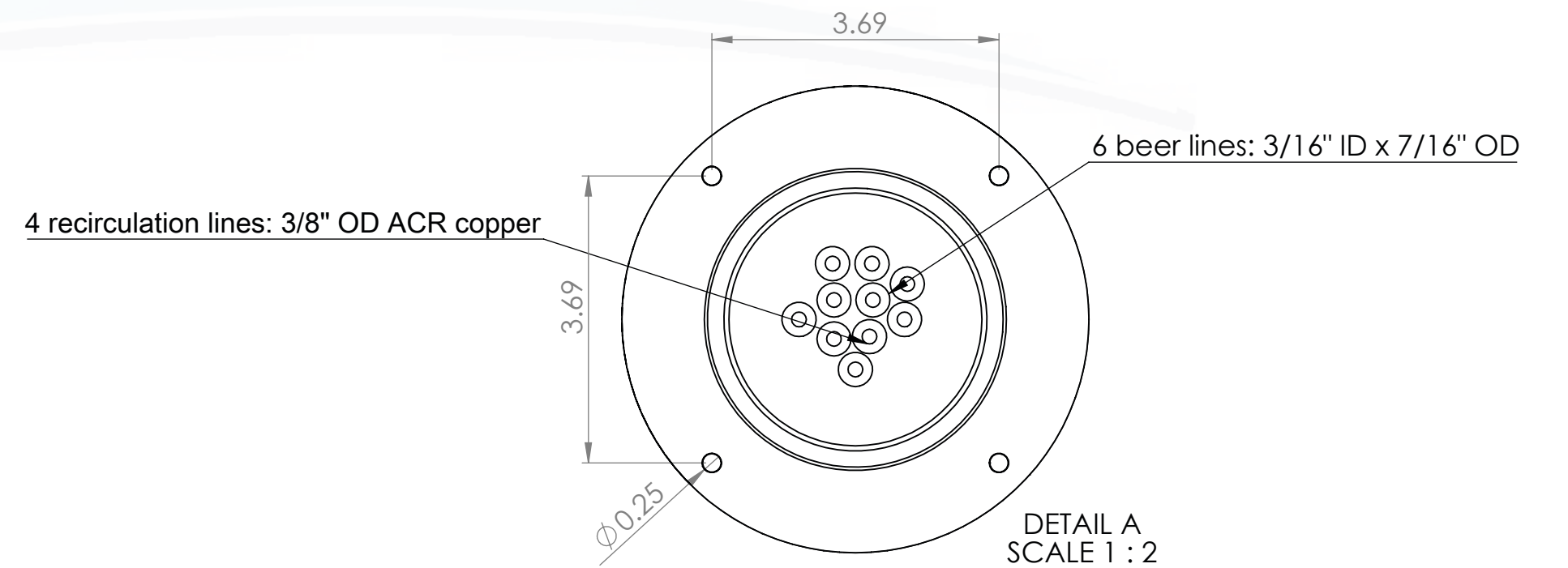


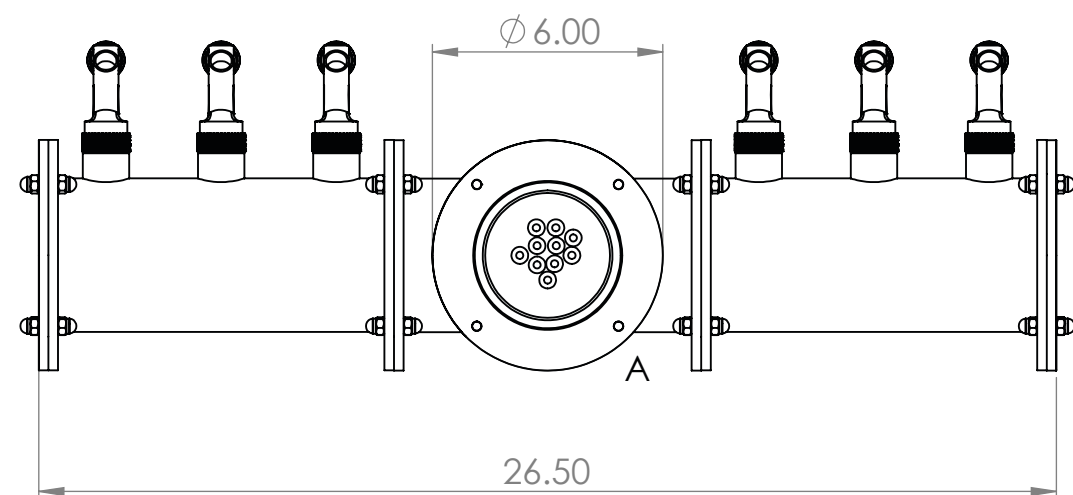
304SS tube connected to CBS NSF Flexible Total Barrier Tubing to 15lbs of Restriction



Isometric View
(For reference purpose only)



DETAIL A
SCALE 1 : 2



Suggested Drip Tray:
 BB701330 - 30" x 7" BSS Drip Tray
 BB702430 - 30" x 7" BSS Spray Drip Tray



Name		Date		Title:	
Drawn By:	Chillmax Beveages Solutions,LLC	11/21/2024		6T(3"OC) MATTE BALCK CONDOR "T" CH-MX CLD	
Approved By:	Production Manager				
Material:	304 SS	Finish:	MATTE BALCK	Part Number:	BB101810-MB-06GC
Unless otherwise mentioned, dimensions are inches.				Revision:	
				Scale:	1:5